



The **PEFY-P-VMA-E2** ducted indoor unit is concealed within the ceiling space to allow unobtrusive air conditioning. Flexibility of duct layout allows air flow patterns to be arranged to suit any application.

Key Features

- Low height - only 250mm
- Wide range of external static pressure settings across entire range (35-150Pa)
- Low noise levels thanks to the use of a centrifugal fan - as low as 23dBA (size 20-40)
- Drain pump included as standard
- CN105 connector available - connect to MELCOBEMS MINI for simple BEMS interfacing

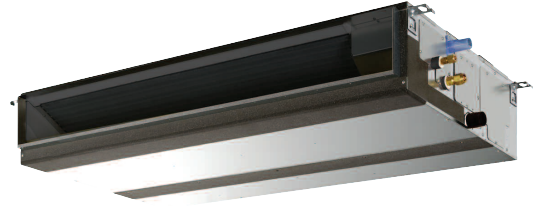


Air Conditioning

Product Information

PEFY-P-VMA-E2 Ceiling Concealed Ducted Indoor Unit

Making a
World of
Difference

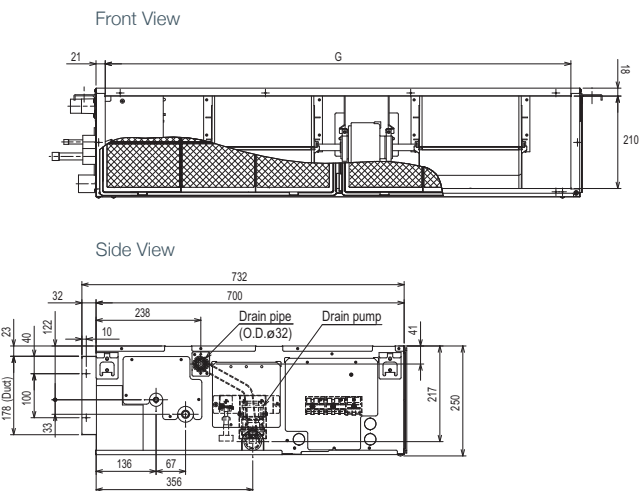
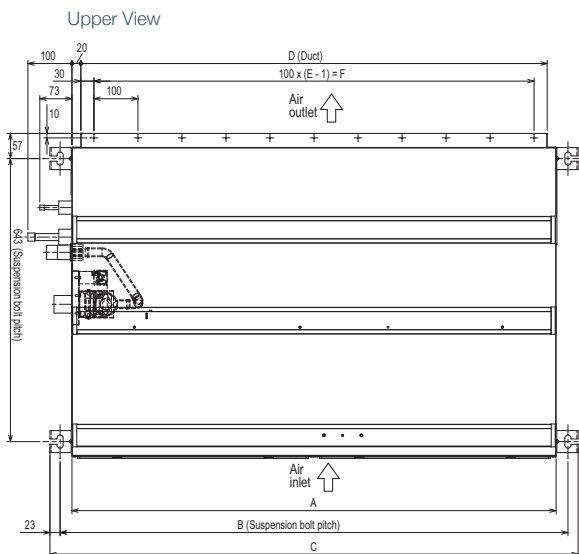


INDOOR UNITS		PEFY-P20VMA-E2	PEFY-P25VMA-E2	PEFY-P32VMA-E2	PEFY-P40VMA-E2	PEFY-P50VMA-E2	PEFY-P63VMA-E2	PEFY-P80VMA-E2	PEFY-P100VMA-E2	PEFY-P125VMA-E2	
CAPACITY (kW)	Heating (nominal)	2.5	3.2	4.0	5.0	6.3	8.0	10.0	12.5	16.0	
	Cooling (nominal)	2.2	2.8	3.6	4.5	5.6	7.1	9.0	11.2	14.0	
	UK Heating	2.5	3.2	4.0	5.0	6.3	8.0	10.0	12.5	16.0	
	UK Total Cooling - Hi (Sensible)	2.00 (1.80)	2.50 (2.00)	3.20 (2.50)	4.10 (3.30)	5.00 (4.10)	6.40 (5.10)	8.10 (5.90)	10.10 (8.10)	12.60 (9.90)	16.0
	UK Total Cooling - Mi2	-	-	-	-	-	-	-	-	-	-
POWER INPUT (kW)	UK Total Cooling - Mi1	1.94	2.42	3.07	3.94	4.80	6.11	7.78	9.67	12.07	
	UK Total Cooling - Lo	1.78	2.22	2.86	3.67	4.45	5.71	7.14	8.93	11.17	
	Heating (nominal)	0.035	0.035	0.043	0.060	0.083	0.069	0.083	0.144	0.200	
AIRFLOW (l/s)	Cooling (nominal)	0.037	0.037	0.045	0.062	0.085	0.071	0.085	0.146	0.202	
	Lo-Mi-Hi	100-125-142	100-125-142	125-150-175	167-200-233	200-242-283	225-267-317	242-300-350	383-467-550	467-567-667	
EXTERNAL STATIC PRESSURE (Pa)		35-50-70-100-150	35-50-70-100-150	35-50-70-100-150	35-50-70-100-150	35-50-70-100-150	35-50-70-100-150	35-50-70-100-150	35-50-70-100-150	35-50-70-100-150	
SOUND PRESSURE LEVEL (dBA)* (50Pa) Lo-Mi-Hi		23-25-26	23-25-26	23-26-29	23-27-30	25-29-32	25-29-33	26-29-34	28-33-37	32-36-40	
WEIGHT (kg)		22	22	22	26	26	31	31	39	39	
DIMENSIONS (mm)	Width	700	700	700	900	900	1100	1100	1400	1400	
	Depth	732	732	732	732	732	732	732	732	732	
	Height	250	250	250	250	250	250	250	250	250	
ELECTRICAL SUPPLY		220-240v, 50Hz	220-240v, 50Hz	220-240v, 50Hz	220-240v, 50Hz	220-240v, 50Hz	220-240v, 50Hz	220-240v, 50Hz	220-240v, 50Hz	220-240v, 50Hz	
PHASE		Single	Single	Single	Single	Single	Single	Single	Single	Single	
RUNNING CURRENT (A) Heating / Cooling		0.35 / 0.35	0.35 / 0.35	0.37 / 0.37	0.45 / 0.45	0.55 / 0.55	0.45 / 0.45	0.60 / 0.60	0.95 / 0.95	1.29 / 1.29	
FUSE RATING (BS88) - HRC (A)		6	6	6	6	6	6	6	6	6	
MAINS CABLE No. Cores		3	3	3	3	3	3	3	3	3	

Note: *1 Additional sound data is available for this model. Separated inlet and breakout sound power level and discharge sound power level data is available on request.

PRODUCT DIMENSIONS

PEFY-P20/25/32/40/50/63/80/100/125VMA-E2



Model	A	B	C	D	E	F	G
PEFY-P20-32VMA-E2	700	754	800	660	7	600	658
PEFY-P40-50VMA-E2	900	954	1000	860	9	800	858
PEFY-P63-80VMA-E2	1100	1154	1200	1060	11	1000	1058
PEFY-P100-125VMA-E2	1400	1454	1500	1360	14	1300	1358



Telephone: 01707 282880
email: air.conditioning@meuk.mee.com
web: airconditioning.mitsubishielectric.co.uk

UNITED KINGDOM Mitsubishi Electric Europe Living Environment Systems Division
Travellers Lane, Hatfield, Hertfordshire, AL10 8XB, England General Enquiries Telephone: 01707 282880 Fax: 01707 278881

IRELAND Mitsubishi Electric Europe Westgate Business Park, Ballymount, Dublin 24, Ireland
Telephone: Dublin (01) 419 8800 Fax: Dublin (01) 419 8890 International code: (003531)

Country of origin: United Kingdom – Japan – Thailand – Malaysia. ©Mitsubishi Electric Europe 2017. Mitsubishi and Mitsubishi Electric are trademarks of Mitsubishi Electric Europe B.V. The company reserves the right to make any variation in technical specification to the equipment described, or to withdraw or replace products without prior notification or public announcement. Mitsubishi Electric is constantly developing and improving its products. All descriptions, illustrations, drawings and specifications in this publication present only general particulars and shall not form part of any contract. All goods are supplied subject to the Company's General Conditions of Sale, a copy of which is available on request. Third-party product and brand names may be trademarks or registered trademarks of their respective owners.

Note: The fuse rating is for guidance only. Please refer to the relevant databook for detailed specification. It is the responsibility of a qualified electrician/electrical engineer to select the correct cable size and fuse rating based on current regulation and site specific conditions. Mitsubishi Electric's air conditioning equipment and heat pump systems contain a fluorinated greenhouse gas, R410A (GWP:2088), R32 (GWP:675), R407C (GWP:1774) or R134a (GWP:1430). *These GWP values are based on Regulation (EU) No 517/2014 from IPCC 4th edition. In case of Regulation (EU) No.626/2011 from IPCC 3rd edition, these are as follows: R410A (GWP:1975), R32 (GWP: 550), R407C (GWP:1650) or R134a (GWP:1300).



www.greengateway.mitsubishielectric.co.uk

Mitsubishi Electric UK's commitment to the environment

Follow us @meuk_Jes
Follow us @green_gateway

Mitsubishi Electric
Living Environmental Systems UK

mitsubishielectric2

thehub.mitsubishielectric.co.uk

Effective as of September 2017